



# MEC-5071-S

## Intel 6<sup>th</sup> Core fanless box PC

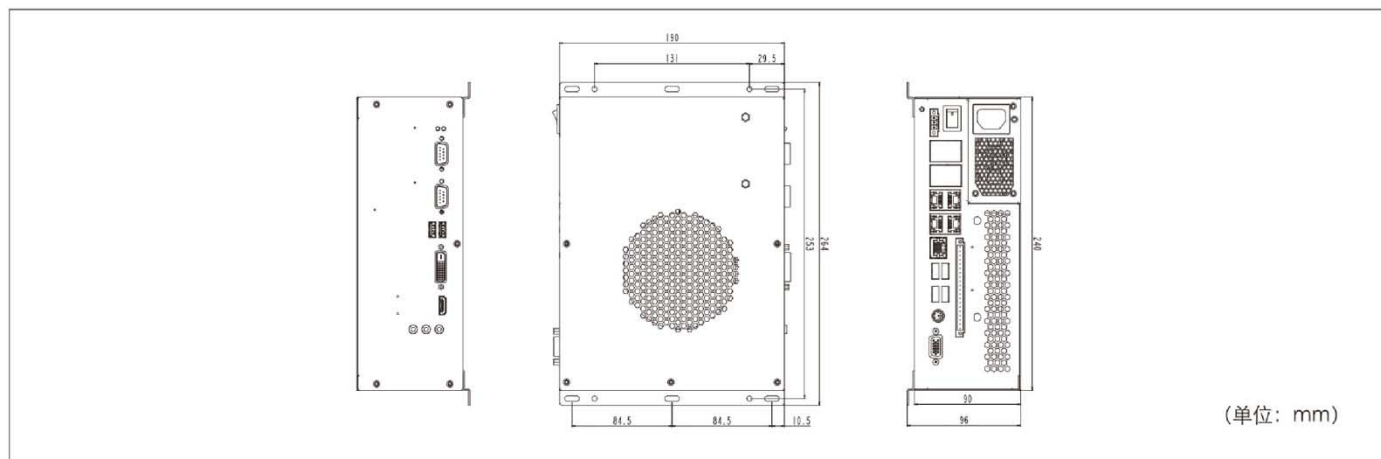
- Supports Intel 6<sup>th</sup> Core i7/i5/i3 processor
- Supporting up to 32GB memory
- 9 x 10/100/1000Mbps RJ45;  
4 of them POE optional
- Supports VGA/DVI/HDMI ports
- 1 x 16 channel GPIO



### Specifications

<b>System Configuration</b>	<b>Processor</b>	Supports Intel LGA1151 6th Gen I3/I5/I7 Core Processor, Intel Pentium Processor, Intel Celeron Processor
	<b>Chipset</b>	Intel H110 Chipset
	<b>Memory</b>	Supporting up to 2 x SO-SIMM slot , 32GB memory
<b>Display</b>	<b>VGA</b>	1 x VGA ( 2048 x 1536 )
	<b>DVI</b>	1 x DVI-D (1920 x 1200)
	<b>HDMI</b>	1 x HDMI (1920 x 1200 )
<b>I/O Ports (Front Panel)</b>	<b>COM</b>	2 x Com ports(COM1~COM2 are RS-232/422/485 optional)
	<b>USB</b>	2 x USB2.0 ports
	<b>Audio</b>	A group of Audio ports
<b>I/O Ports (Rear Panel)</b>	<b>Lan</b>	9 x 10/100/1000Mbps RJ45 Lan ports; 4 of them POE optional
	<b>GPIO</b>	1 x 16 channel GPIO (isolated 8DI/8DO)
	<b>USB</b>	4 x USB3.0 ports
	<b>PS/2</b>	1 x KB/MS
	<b>Power interface</b>	1 x Power interface
	<b>Remote interface</b>	1 x Power switch remote interface
<b>Storage</b>	<b>HDD</b>	1 x 2.5 inch HDD bay
	<b>M-SATA</b>	1 x M-SATA port
<b>Expansion Bus</b>		1 x Mini PCIE expansion slot 1 x Mini PCIE (SATA + USB) expansion slot 1 x SIM card slot
<b>Operating Environment</b>		-20°C ~ 55°C; (wide temperature CF card/SSD) -5°C ~ 45°C (monitoring-level HDD) 5% ~ 90% 40°C (non-condensing)
<b>Storage Environment</b>		-40°C ~ 70°C; 5% ~ 90% 40°C (non-condensing)
<b>Power Supply</b>		Supports AC220V input
<b>Dimensions (W x H x D)</b>		240mm(W) x 90mm(H) x 190mm(D)

## Dimension



## Ordering Information

Part Number	Model Number	Description
0010-092901	MEC-5071-S-01	Intel Quad core i5-6500 3.2Ghz/8G memory/128G SSD/9 x Lan ports/2 x COM ports/DVI/HDMI/16 channel GPIO
0010-092911	MEC-5071-S-02	Intel dual core i3-6100 3.7Ghz/4G memory/500G monitoring HDD/9 x Lan ports/2 x COM ports/DVI/HDMI/16 channel GPIO/support POE